



LEONARDO 1.000 W

Quartz - Halogen Fresnel SPOTLIGHT


DATA SHEET
02/04/03



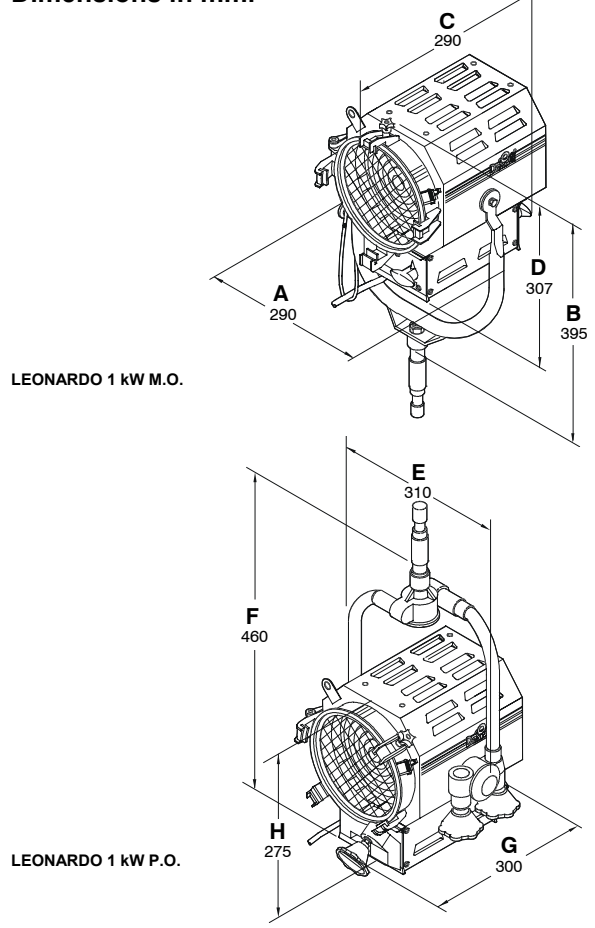
FEATURES

- Compact, highly efficient Fresnel lens spotlight using tungsten-quartz-halogen filament lamps having G22 socket, L.C.L. of 63,5 mm. and max. 1,2 kW power .
- Available, on special request , in a version using tungsten-quartz-halogen filament lamps having GX 9.5 socket, L.C.L. of 55 mm. and max. 1 kW power.
- 150 mm. diameter high quality, shock resistant Borosilicate glass Fresnel lens on spring supports.
- Rugged and Lightweight Carbon Steel housing with low glare black epoxy powder coating, with internal double walls and reinforces.
- High efficiency convection cooling.
- Heavy-duty G-22 bi-post socket for tungsten halogen lamps, with lever activation and special contacts for homogeneous current distribution over lamp's pins.
- Special bimetallic clad aluminum reflector for high degree of reflectivity and thermal resistance for long life.
- Stainless steel cable driven focus mechanism which guides Teflon bushings supported lamp carriage along 2 stainless steel rails. This ensures smooth operation, and restricts bouncing or chattering of the lamp carriage during focusing, in any tilting position of the fixture, avoiding lamp failures during operation. The Teflon bushings also provide a wiping action, which cleans the stainless steel guide rails during focus. The focusing mechanism can be activated from both front and rear of the fixture and the whole spot to flood action is accomplished with 1 and half turn of the focusing knob.
- The unit is equipped with a hinged lens door with wire-guard for easy access to the lamp, it includes accessory holding brackets, which can be positioned in two different arrangements (vertical-horizontal or diagonal). One of the 4 brackets has a locking knob and is spring loaded, it can be locked to either safely hold barndoor, color frame and scrims or to be rotated 90° and locked in an open position for fast accessories changes. A double safety accessory bracket with spring loaded catch is available on request to be assembled opposite to the locking knob.
- The accessories are secure regardless of the orientation of the fixture. Accessories have been designed for one hand installation.
- Available with either positive lock manual yokes for comfort and ease of handling, or pole operated yokes which can be used via the lighting pole for Panning and Tilting the lights as well as manually, since the mechanical activators are equipped with clutches. It is possible the conversion between the two types.

CHARACTERISTICS & PERFORMANCE DATA

DESCRIPTION	VALUE	
Amperage	Europe - 230 V	America - 120 V
	5,3 A (1200W)	8.4 A (1000 W)
Power supply	Europe	America
	230 V / 0-60 Hz	120 V / 0-60 Hz
Switch on the fixture	M.O. & P.O.	Studio MO/PO
	Toggle : 16A\125V-8A\250V	No Switch
Lamp Holder	Standard Version	Special Version
	G22 Lever Type	GX9.5 Spring Type
Power Cable	Europe 	America
	3 x 1,5 mm ² H07RN-F 90°C	3 x 16 AWG TYPE SO 90°C
Protection Class	Class 1- ground connection required	
Protection Type	IP 22	
Max. Housing Surface Temperature	220° C	
Weight of Fixture	M.O.	P.O.
	6,3 kg.	7,6 kg.
Weight of Barndoor	4 leaf	8 leaf
	0,63 kg.	0,85 kg.
Size of Barndoor ring	Seat Diameter	Ring Diameter
	192 mm	190 mm (7" ¹ / ₂)
Weight of color frame	0,13 kg.	
Size of scrims & color frame	Seat Diameter	Accessory Diameter
	187 mm	185 mm (7" ¹ / ₄)
Lens diameter	150 mm.	

Dimensions in mm.



USABLE LAMPS

base-watt-filament	230 V		120 V	
	ANSI	LIF	ANSI	LIF

Leonardo Standard - G22 lamp holder

G22 - 500 w - MP	Not available		EGN	
G22 - 650 w - MP	FKH	CP 39	Not available	
G22 - 650 w - BP		CP 68	Not available	
G22 - 750 w - MP	Not available		EGR	
G22 - 1000 w - MP	FKJ	CP 40	EGT	
G22 - 1000 w - BP	FKJ	CP 71	EGT	
G22 - 1200 w - BP		CP 93	Not available	

Leonardo Special - GX 9,5 lamp holder

GX9.5 - 650 w - MP		CP 23		CP23
GX9.5 - 650 w - BP	FVC	CP 67	Not available	
GX9.5 - 1000 w -MP		CP 24	Not available	
GX9.5 - 1000 w -BP	FVA	CP 70	Not available	

WORKING CONDITIONS

Working Position	Lighting fixture: Max. Tilting $\pm 90^\circ$ from horizontal			Lamp: S90
Ambient Temperature, t_a	+45° C Max			
Minimum distances from inflammable surfaces	Top 0,3 m.	Back 0,1 m.	Sides 0,1 m.	Front 1 m.

PHOTOMETRIC DATA

PHOTOMETRIC DATA LEONARDO 1.000 W

Values measured with: CP 71 Lamp - 220 V, 150 mm. Φ Fresnel Lens

		FEET				METERS			
TYPICAL DISTANCES		10'	20'	30'	40'	3 mt	6 mt	9 mt	12 mt
CENTER VALUES		Candle Power		FOOTCANDLES				LUX	
SPOT	128.574	1.286	321	143	80	14.286	3.572	1.537	893
FLOOD	11.952	120	30	13	7	1.328	332	148	83
F.C. AT ANY DISTANCE =					LUX AT ANY DISTANCE =				
Candle Power : [Distance(in ft)] ²					Candle Power : [Distance(in m)] ²				
BEAM ANGLE (50% of center value):		BEAM DIAMETER in feet				BEAM DIAMETER in meters			
SPOT	7,5°	1,3'	2,6'	3,9'	5,2'	0,4 mt	0,8 mt	1,2 mt	1,6 mt
FLOOD	54,4°	10,3'	20,6'	30,8'	41,1'	3,1 mt	6,2 mt	9,3 mt	12,3 mt
FIELD ANGLE (10% of center value):		BEAM DIAMETER in feet				BEAM DIAMETER in meters			
SPOT	16,5°	2,9'	5,8'	8,7'	11,6'	0,9 mt	1,7 mt	2,6 mt	3,5 mt
FLOOD	62,0°	12,0'	24,0'	36,1'	48,1'	3,6 mt	7,2 mt	10,8 mt	14,4 mt

LEONARDO 1 kW VERSIONS & MODEL NUMBERS

MOD.	DESCRIPTION
310.110	LEONARDO 1 kW M.O., Fresnel Spotlight including: 150 mm. Fresnel lens, 5 mt. power cable, 10A toggle switch, G22 lamp holder, wire guard (315.300), 4 leaf barndoor (316.100), colour frame (317.100), M.O. stirrup (310.110.40).
310.120	LEONARDO 1 kW M.O., Fresnel Spotlight including:150 mm. Fresnel lens, 1,5 mt. power cable, (without switch), G22 lamp holder, wire guard (315.300), 4 leaf barndoor (316.100), colour frame (317.100), M.O. stirrup (310.110.40)
311.110	LEONARDO 1 kW P.O., Fresnel Spotlight including:150 mm. Fresnel lens, 3 mt. power cable, 10A toggle switch, G22 lamp holder, wire guard (315.300), 4 leaf barndoor (316.100), colour frame (317.100), P.O. stirrup (311.110.40).
311.120	LEONARDO 1 kW P.O., Fresnel Spotlight including:150 mm. Fresnel lens, 1,5 mt. power cable, (without switch), G22 lamp holder, wire guard (315.300), 4 leaf barndoor (316.100), colour frame (317.100), P.O. stirrup (311.110.40).

LEONARDO 1 kW ACCESSORIES TYPES & MODEL NUMBERS

MOD. OPTIONAL & ACCESSORIES

310.110.40	Steel tube (M.O.) stirrup with 28,57 mm. spigot (B.S. 1 1/8"), with top end for attachment to "C" clamp.
310.300.40	Steel tube (M.O.) stirrup with 28,00 mm. spigot (D.I.N)
310.610.40	Flat steel (M.O.) stirrup with 28,57 mm. spigot (B.S. 1 1/8"), with top end for attachment to "C" clamp.
310.620.40	Flat steel (M.O.) stirrup with 13,5 mm. Hole, without spigot
310.630.40	Flat steel (M.O.) stirrup with 28,00 mm spigot (D.I.N.)
311.110.40	Pole operated stirrup with 28,57 mm. spigot (B.S. 1 1/8"), with top end for attachment to "C" clamp.
311.300.40	Pole operated stirrup with 28,00 mm. spigot (D.I.N.)
315.300	Stainless Steel wire guard
316.100	Four leaf rotating barndoor
316.200	Eight way rotating barndoor
317.100	Colour frame
318.100	Cone with two discs (with front aperture diameter: 105 mm. 80 mm. 55 mm.)
319.100	Set of scrims - Stainless steel
319.101	Full single scrim - Stainless steel
319.102	Full double scrim - Stainless steel
319.103	1/2 single scrim - Stainless steel
319.104	1/2 double scrim - Stainless steel
319.250	180° Bottom Light spill protection
91.200	Solid brass "C" clamp to hang fixtures overhead and for mounting on pipe with diameters up to 52 mm. (2"), with safety pin (no adapters)
20.100	Safety cable 800 mm. long with 4 mm. diameter steel rope and safety catch.
DGP-A110	Combo stand complete with: lazy leg, 29 mm. Socket (1 1/8") and 16 mm. Spigot (5/8")
DGP-A9000	Caster set diam. 100 mm. braked

